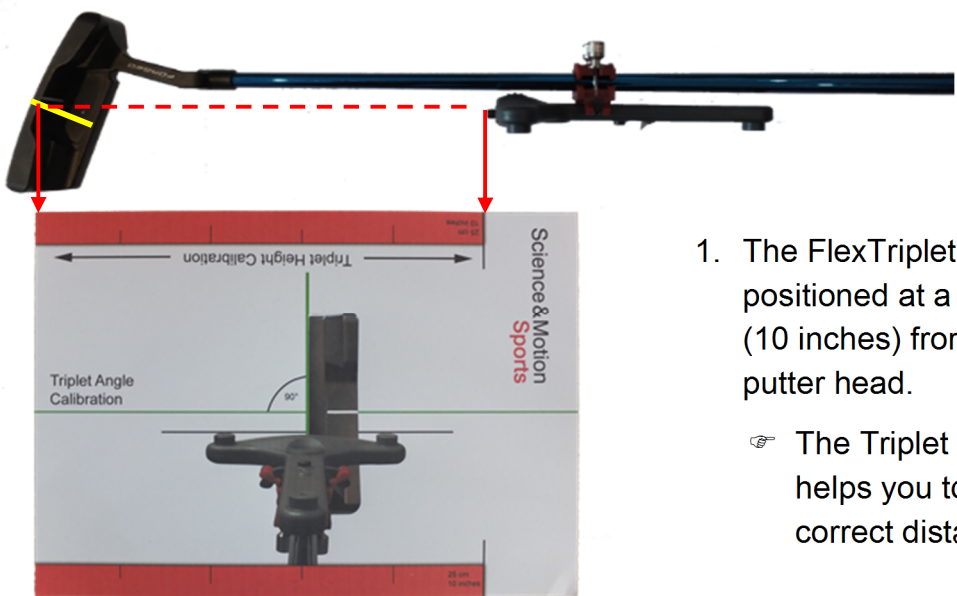
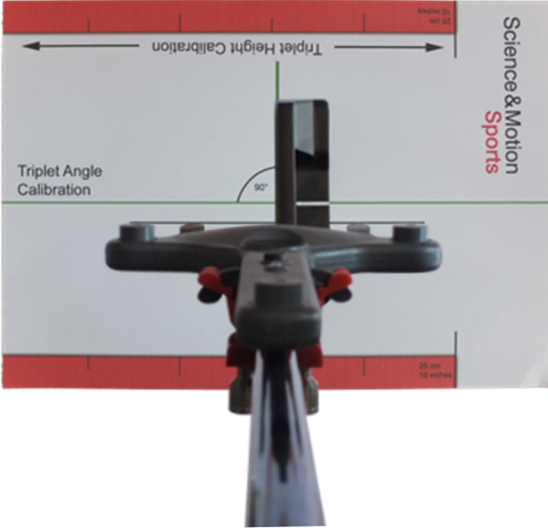


How to use the Triplet Calibration Sheet



The diagram illustrates the first step of the calibration process. A putter head is shown at the top left, with a red dashed line extending from its sole to a red horizontal line on the calibration sheet. A yellow arrow points to the putter head, and a red arrow points to the 25 cm mark on the sheet. The sheet features a 'Triplet Height Calibration' section with a 25 cm scale and a 'Triplet Angle Calibration' section with a 90-degree angle marker. The brand name 'Science & Motion Sports' is visible on the right side of the sheet.

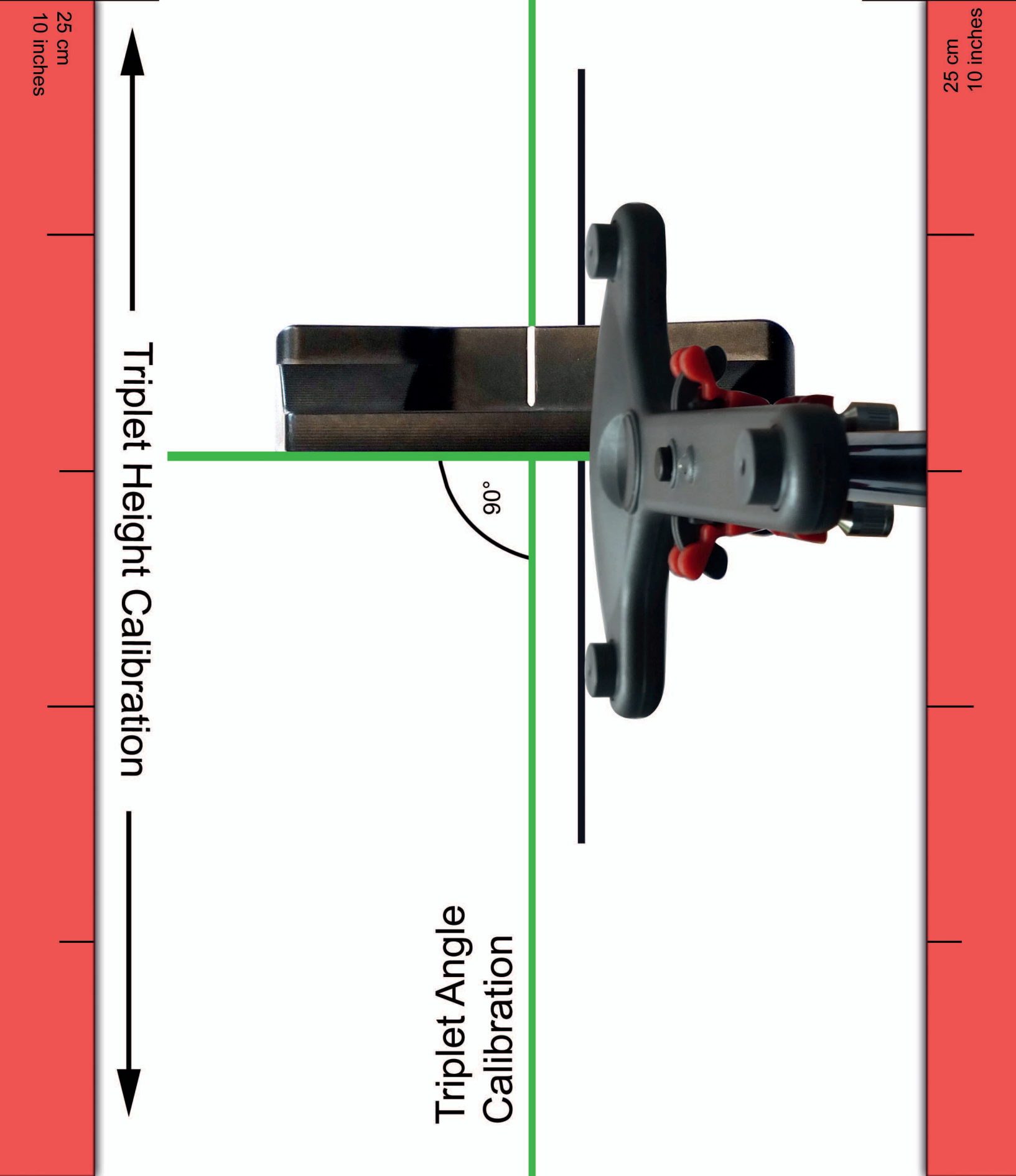
1. The FlexTriplet has to be positioned at a distance of 25 cm (10 inches) from the sole of the putter head.
 - ☞ The Triplet Calibration Sheet helps you to measure the correct distance.



The diagram illustrates the second step of the calibration process. The FlexTriplet is mounted to the putter shaft, and the putter head is placed on the calibration sheet. A green vertical line on the sheet indicates the 90-degree angle between the shaft and the putter head. The 'Triplet Height Calibration' section shows a 25 cm scale, and the 'Triplet Angle Calibration' section shows a 90-degree angle marker. The brand name 'Science & Motion Sports' is visible on the right side of the sheet.

2. The FlexTriplet has to be mounted to the shaft with a 90° angle to the putter head.
 - ☞ The Triplet Calibration Sheet helps you to achieve this.
3. Mount the FlexTriplet (attached to the FlexClip) to the putter shaft - fasten the screws in a way that slight adjustment of the Triplet is still possible.
4. Place the putter head on the Triplet Calibration Sheet.
5. Adjust the angle between putter head and FlexTriplet exactly to 90 degrees using the green lines on the sheet.
6. Fasten the FlexClip screws to fix the final position.

Science & Motion Sports



25 cm
10 inches

Triplet Height Calibration

Triplet Angle
Calibration

90°

25 cm
10 inches