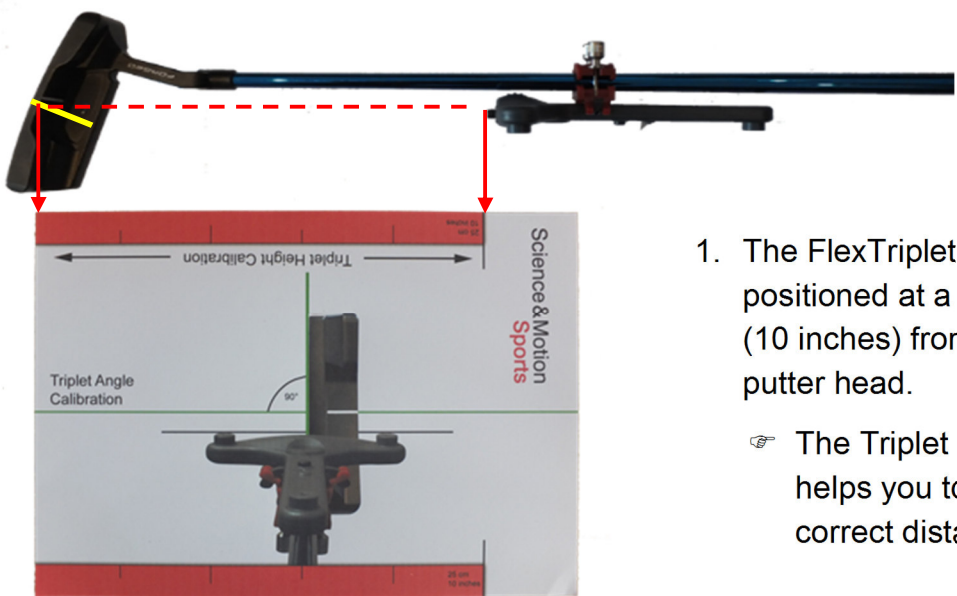
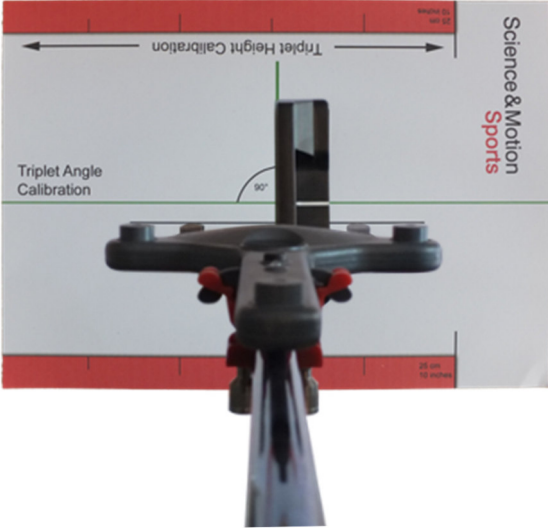


## How to use the Triplet Calibration Sheet



The diagram shows a putter head and shaft. A red dashed line indicates a 25 cm distance from the sole of the putter head to the FlexTriplet. Below, the Triplet Calibration Sheet is shown with a 25 cm scale and a 90-degree angle marker. The sheet is labeled 'Science & Motion Sports' and 'Triplet Angle Calibration'.

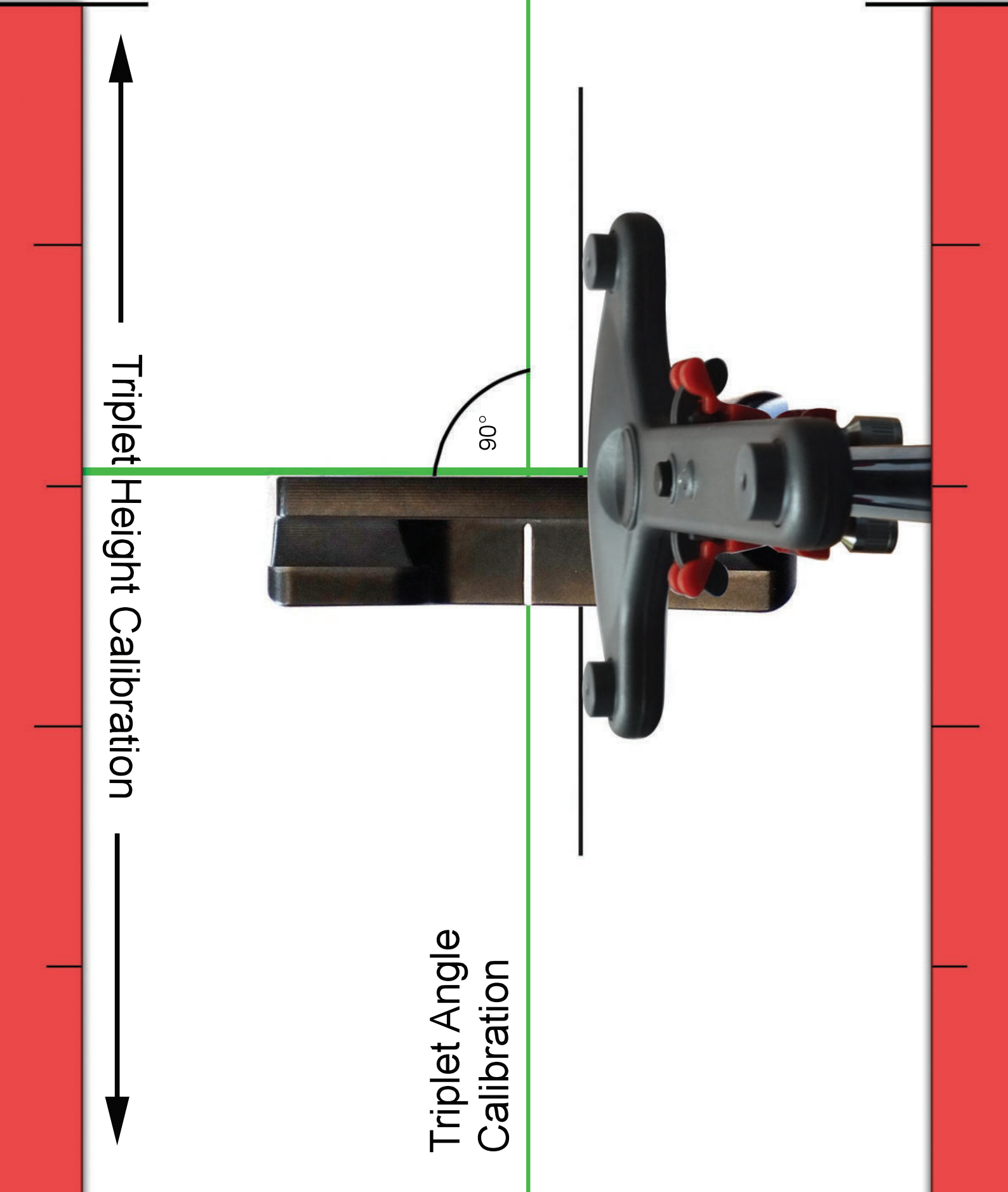
1. The FlexTriplet has to be positioned at a distance of 25 cm (10 inches) from the sole of the putter head.
  - ☞ The Triplet Calibration Sheet helps you to measure the correct distance.



The diagram shows the FlexTriplet mounted to the shaft. The shaft is perpendicular to the putter head, as indicated by the 90-degree angle marker on the Triplet Calibration Sheet. The sheet is labeled 'Science & Motion Sports' and 'Triplet Angle Calibration'.

2. The FlexTriplet has to be mounted to the shaft with a 90° angle to the putter head.
  - ☞ The Triplet Calibration Sheet helps you to achieve this.
3. Mount the FlexTriplet (attached to the FlexClip) to the putter shaft - fasten the screws in a way that slight adjustment of the Triplet is still possible.
4. Place the putter head on the Triplet Calibration Sheet.
5. Adjust the angle between putter head and FlexTriplet exactly to 90 degrees using the green lines on the sheet.
6. Fasten the FlexClip screws to fix the final position.

# Science & Motion Sports



Triplet Height Calibration

Triplet Angle Calibration

90°