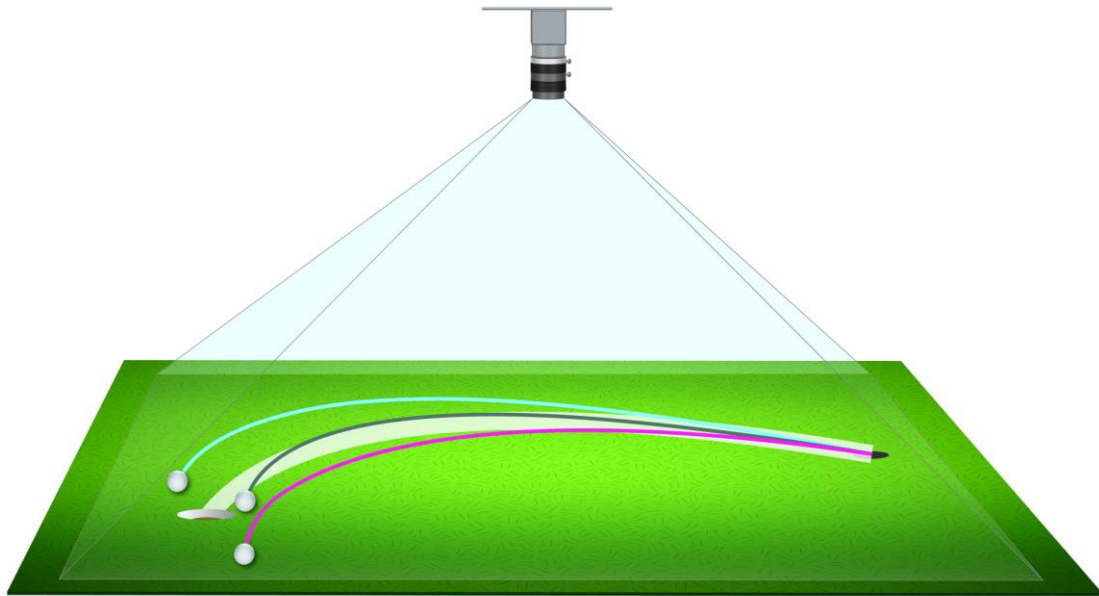


Science & Motion Sports

SAM BallTracker – Fact Sheet



Main Features

- Tracks ball curves and positions with high speed top camera
- Works on straight putts and breaking putts
- Adaptive to any even break and pitch
- Play variable hole positions
- Calculation and display of all typical ball performance parameters
- Specific PuttLab Reports
- Display of aim spot and ideal ball curve for break putts
- Replay of ball movement and shot pattern in 3D-Putt
- Add-On to SAM PuttLab 6



Computer system requirements

- A high performance **Windows PC/ Laptop** is needed
- i5 or i7 high performance Quad Core CPU with 2 GHz or better, no power saver model (last letter “U” like i7-5600U). Please ask us for specific models.
- Windows 7, 8, 8.1 and 10 (64 Bit)
- 8 GB RAM (better 16 GB)
- 10 GB free disk storage space
- one free USB 3.0 port
- Internet access for software updates or remote service recommended
- PuttLab 6 system needed to run SAM BallTracker software

Package content (what is delivered on standard system)

- High speed USB3 industrial camera with wide angle optics
- Adjustable camera mount (high quality ball head)
- 10m high quality USB3 cable (active hybrid technology).
USB cable length up to 25m on request.
- Wall or ceiling mount arm, max. length 5ft / 1.5m.
Max. length up to 8ft / 2.5m on request.
- Camera calibration mat
- Software package
- Accessories like putting cups, putting turf/mats, etc. available on request.

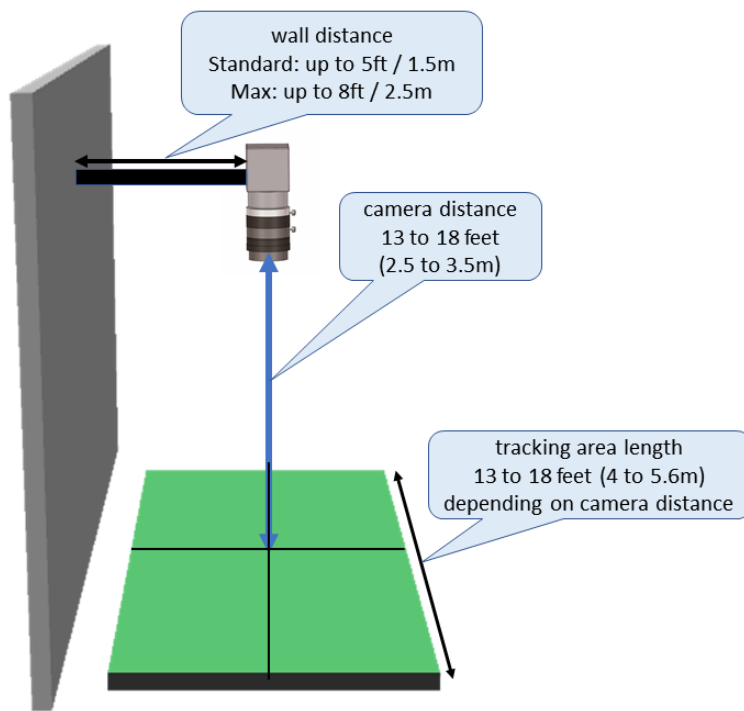
Environment requirements

- Camera has to be mounted on top, centered to the tracking area.
Camera distance to putting surface needs to be 8 to 11.5 feet (2.5 to 3.5m).
- Size of tracking area depends on camera distance:

Camera height above surface	Size of tracking area
8.2 ft / 2.5 m	13 x 10 ft (4 x 3 m)
10 ft / 3 m	16 x 12 ft (4.8 x 3.6 m)
11.5 ft / 3.5 m	18.5 x 14 ft (5.6 x 4.2 m)

- Camera needs to be mounted to side wall or ceiling.
In case of wall mount: max distance from wall to tracking area center is 8 ft (2.5 m).
In case of ceiling mount: minimum ceiling height is 8 ft. Max distance from ceiling to camera position is also 8 ft (2.5 m). See illustrations on next page.
- Light conditions need to be stable or controllable (no direct sunlight to the putting surface)
- To use break putt features the putting surface has to have an even break (flat surface with even slope).

Wall mounting



Ceiling mounting

